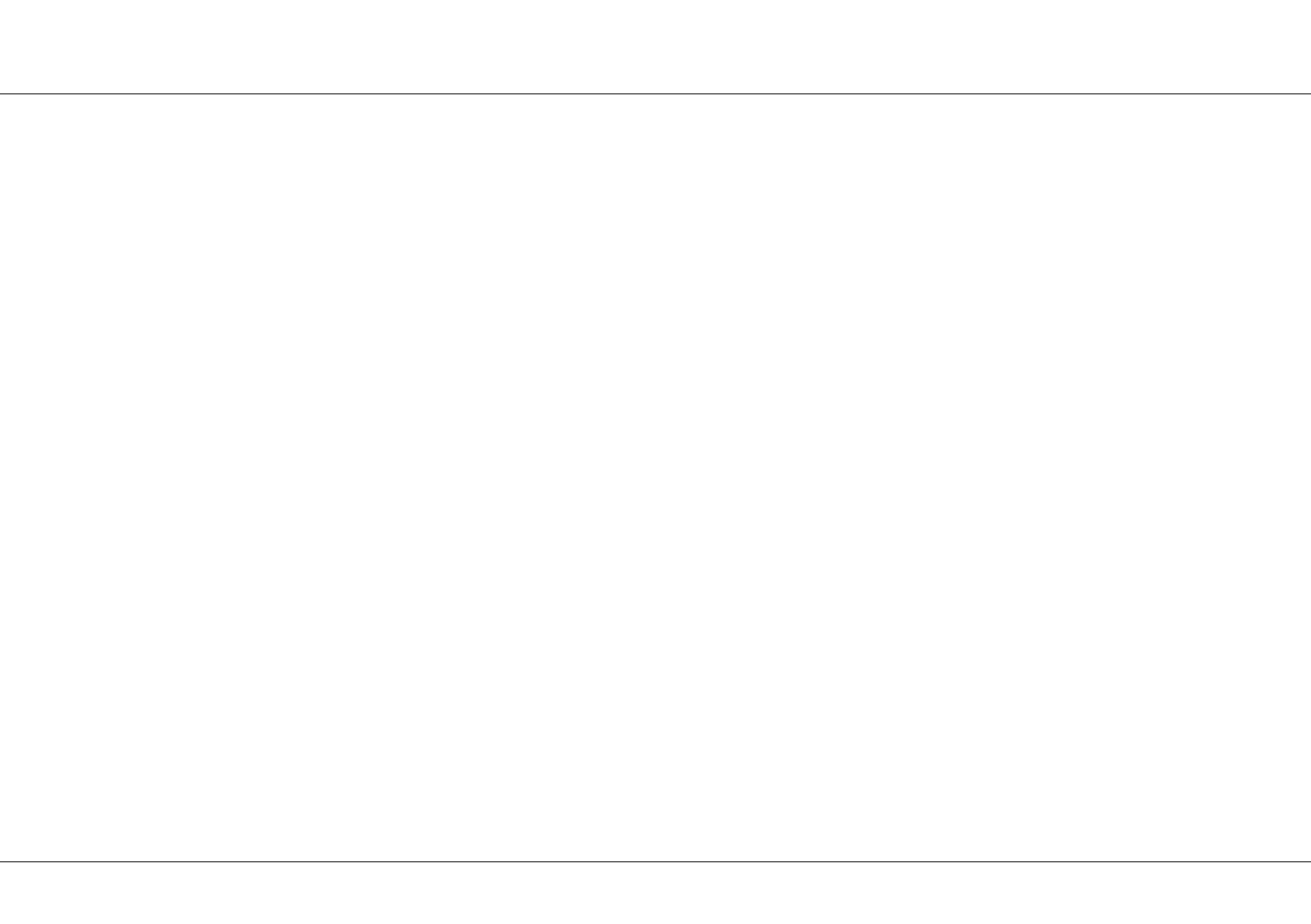




Care/Adjustment



---

**Dear customer,**

Thank you for choosing Sachsenküchen.

In order to help you ensure that your new kitchen lasts as long as possible, we have compiled a number of tips on caring for the various surfaces as well as instructions for performing small tasks in the following.

Please also be sure to pay attention to the other instruction manuals and additional information provided with the furniture, accessories, and electrical devices.

Sachsenküchen cannot be liable for damages as a result of improper use of the kitchen furniture. Furthermore, Sachsenküchen provides no guarantee for the result of improper care and use of the kitchen.

We hope you enjoy your new kitchen.

# Overview

---

1	Quality	5	5	Adjustment	26
2	Safety information	7	5.1	Swivel doors	26
3	Information about loading the cabinets	9	5.2	Framed glass doors with hidden hinge	27
4	Care instructions	10	5.3	Drawers/Pull-outs NovaPro Scala	28
4.1	General	10	5.4	Drawers/Pull-outs AccuraBox	34
4.2	Laminate fronts	11	5.5	Bi-fold lift-up doors	38
4.3	Glossy laminate fronts	12	5.6	Soft-lift-up doors	40
4.4	High gloss fronts	13	5.7	Flap doors	42
4.5	Lacquered fronts (mat/structured/premium mat/laquered laminate)	14	5.8	Flap doors with hidden fitting	44
4.6	Lacquered fronts (high gloss)	15	5.9	Pantry cabinet	45
4.7	Fronts with velvet matt surface	16	5.10	Corner cabinets	46
4.8	Glass laminate fronts	17			
4.9	Fronts with FENIX NTM® surface	18			
4.10	Wood fronts	20			
4.11	Oiled wood fronts	21			
4.12	Linoleum fronts	22			
4.13	Cement/stone fronts	23			
4.14	Worktops	24			
4.15	Handles and fittings	25			



# 1 Quality



## Quality

Certificate of quality and safety tested kitchen technology

The requirements for the design and technical equipment were met through safety testing of various cabinet types of our kitchen furniture program.



## Quality management system

Our company is certified according to DIN EN ISO 9001:2015. The content of the DIN EN ISO 9001:2015 is the regulation of the customer orientation and process quality in terms of demand and satisfaction to the product and design.



## Certificate on human ecological safety of pollutants

The emissions are far below the approved limits of the emission class E 1 according to DIN 68762 for lounge and living rooms for the materials used in our kitchens.



## Transportation packing

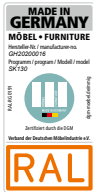
With RKT - Recycling Kontor Transportverpackungen GmbH & Co. KG, a waste disposal contract with the number TV000190 is closed. This ensures that collected packaging material is processed and all requirements of the packaging ordinance are met.



## Environmentally friendly production

As part of the ecological project for integrated environmental engineering, measures for the prevention of waste and emissions are implemented and projects for energy efficiency are realized. Sachsenküchen is a member of the Environmental Alliance of Saxony.

# 1 Quality



## Furniture made in Germany

The main performance in the aspects of construction, production and quality assurance must be demonstrably provided in Germany for the “Made in Germany” label. The requirements are regularly monitored externally at the production site.



## Climate agreement / Climate neutral manufacturer

Sachsenkitchen has joined the “Climate Agreement for the Furniture Industry” and has been certified as a CO2-neutral manufacturer by the German Furniture Quality Association (DGM). By reducing our emissions and also compensating for them through the purchase of climate protection certificates, we are making an active contribution on the way to a climate-neutral industry.

## 2 Safety information

Kitchens from Sachsenküchen should be installed by specially trained persons and observing the general workplace safety regulations for the skilled trades as well as the included assembly instructions.

Manufacturer-specific assembly and adjustment instructions for specific types of fitting (flap and swing fittings, rotary bases, storage area fittings) as well installation instructions for appliances, sinks and lighting are included with the respective components and must be consulted separately.

Failure to follow the provided assembly instructions, or failure to properly assemble the products, can result in reduced functionality and may lead to damage to the product and injury to persons. Sachsenküchen accepts no liability for any damages caused as a result.

The quality of the walls, ceiling and floor is of particular importance. The included materials for mounting units to walls are suitable only for use on solid, fixed walls. For mounting onto any other type of ceiling, wall or floor, the installer must ensure the appropriate mounting materials are used. Hanging cabinets must be attached to the wall in such a way that there is no risk of them falling down.

Plumbing and electrical installations must be carried out by appropriately trained specialists only. Before

assembling the kitchen, ensure that all necessary connections are present and functional and have been installed.

Before drilling into a surface, ensure that there are no water pipes, electrical lines, gas, heating or drainage pipes in that immediate area.

The product information code included in the box with the fittings (orange sticker) with the AB number and barcode with product information must be attached in an easily accessible place (e.g. inside the body of the sink cabinet).

Sachsenküchen installation instructions:



[www.sachsenkuechen.de/montage](http://www.sachsenkuechen.de/montage)

## 2 Safety information

---

Kitchens may only be used for their intended purpose. Improper use may lead to injuries or damage.

Do not sit on the worktops or lower cupboards. Do not leave children unattended in the kitchen if there is a risk they may turn on electrical appliances.

No one, particularly small children, should crawl inside cupboards as the doors can close automatically. It is not always possible to open cupboards from the inside, or is at least difficult to do so.

Do not hang from the wall cabinets! Subjecting these to improper loads can cause them to fall off.

Never remove the included and mounted safety fittings supplied by the manufacturer, e.g. tip prevention, spacers and similar.

Wall cabinets are usually hung from a mounting rail. Do not lean against hanging cabinets. There is a risk of them sliding along this rail!

Do not remove any fittings!

Disconnect the power supply before replacing any lights and before cleaning any electrical appliances.

---

### 3 Information about loading the cabinets

All cabinets have been designed and tested in accordance with the latest standards. All furnishings feature the GS safety tested mark and therefore conform to all applicable standards.

All specified maximum loads are statically defined, i.e. loads are the result of “careful and appropriate placing” of objects, not “dropping”, “throwing” or similar. Proper use is a requirement.

Loads must be evenly distributed across the surface. Heavy loads at single points must be significantly reduced.

#### **suspension hinges** (with DIN-conform mounting)

- hidden suspension max. 86 kg per hinge
- heavy-duty suspension max. 120 kg per hinge

#### **drawers / pull-outs (incl. dead load)**

- drawer max. 40 kg
- pull-out max. 70 kg

#### **cabinet shelves**

- shelf carcass material max. 50 kg / m<sup>2</sup>
- shelf glass max. 10 kg

#### **storage fittings**

- half round Lazy Susan max. 15 kg per shelf
- LeMans-swivelling shelves max. 25 kg per shelf
- 3/4-circle turning shelves max. 25 kg per shelf
- full circle turning shelves max. 25 kg per shelf
- base cabinets with trays max. 12 kg per tray
- pantry cabinet with trays max. 18 kg per tray
- Tandem max. 10 kg per tray bzw. max. 4 kg per tray (door shelf)
- Tandem Solo max. 16 kg per tray
- Tandem Side max. 4 kg per tray
- chamfered base/pantry cabinets with trays max. 10 kg per tray

# 4 Care instructions

## 4.1 General

---

The high quality surfaces of a quality kitchen are very easy to care for. In order to preserve the value and duration of life of the new kitchen over many years, regular, but above all proper attention should be paid to these aspects.

Please therefore observe the following care instructions:

- Always only use mild, water-soluble household cleaners expressly intended for kitchen furniture in their product information.
- Regardless of whether you have purchased a high gloss front or a super-matt laminate front, please do not under any circumstances use harsh chemical substances such as scouring cleaning products or solvents. Scouring power, steel wool or saucepan pads also destroy the surface to such an extent that reconditioning is no longer possible.
- Use a soft, lint-free cloth, a leather or a sponge.

Do not use any microfibre cloths or dirt erasers. They frequently contain fine scouring particles that may result in scratching of the surface.

- Remove soiling as quickly as possible. Fresh stains are considerably more easily and therefore
- usually completely removable.

Never use a steam cleaner or running water from a hose!

- Always wipe all surfaces thoroughly dry after cleaning. Excessively wet surfaces as a result of using too damp cloths or clouds of steam during or after cooking should be avoided as a matter of principle

Always keep all surfaces dry! Standing water and other liquids may cause permanent damage! The kitchen must stand in room with a temperate atmosphere. This applies both with regard to temperature and in particular for relative humidity.

## **4 Care instructions**

### **4.2 Laminate fronts**

---

Laminate fronts can be cared for using household and commercially available cleaning products. Do not use any scouring products. Depending on the degree of soiling, apply the cleaning product diluted with water. Use a soft cloth for this purpose. The residual cleaning agent should subsequently be removed with water and the doors should be wiped dry.

Stubborn stains such as remains of paint and glue or splashes of fat can be easily removed with commercially available laminate cleaners. Test the latter first at an inconspicuous spot before using for the first time. Vinegar-based cleaner, nitro or artificial resin dilutions in addition to nitro based cleaners are unsuitable for cleaning the surfaces. Never use a steam cleaner!

Fronts with a high gloss surface are characterised by an excellent brilliance which is created with the aid of a high gloss polymer film. The fronts are covered with a protective film in order to ensure that they do not suffer any damage either during processing or transport. This film should only be removed during the last working stage of installation.

## 4 Care instructions

### 4.3 Glossy laminate fronts

---

Fronts with a glossy surface are characterised by an excellent brilliance which is created with the aid of a high gloss polymer film.

The fronts are covered with a protective film in order to ensure that they do not suffer any damage either during processing or transport. This film should only be removed during the last working stage of installation.

Glossy fronts are characterised by their very easy cleaning, since the surface is completely sealed. Any soiling that adheres can therefore be easily removed without much effort and without use of chemical products.

It is essential to ensure that the cleaning materials used (cloths, sponges, etc.) are extremely clean. Any mineral soiling present in cleaning materials, such as grains of sand or dust particles may result in scratching of the surface and must therefore not be used.

The manufacturer cannot undertake any warranty for this type of traces of use.

The cleaning materials used – preferably cotton cloths (not microfibre cloths!) – must be thoroughly cleaned and rinsed beforehand. If mineral or metallic particles are absorbed during cleaning, the cleaning materials must be constantly rinsed in order to ensure that the dust particles do not leave any marks on the high gloss

surface.

Small microscopic traces of use may result. These are more or less noticeable according to colour and incidence of light. They do not impair the functional value and are unavoidable in the long term as with all high gloss surfaces on cars, glasses or other furniture surfaces.

This type of traces of use does not constitute any grounds for complaint.



## 4 Care instructions

### 4.4 High gloss fronts

Fronts with an acrylic coating are characterised by an excellent high gloss. The fronts are covered with a protective film in order to ensure that they do not suffer any damage either during processing or transport. This film should only be removed during the last working stage of installation.

The acrylic surface is still sensitive after removing the protective film. Use a 1 % soap solution and a clean soft cloth (not a microfibre cloth) for cleaning.

In order to avoid static charging, we recommend use of an antistatic laminate cleaner. In order to improve resistance against wiping and scratch marks, the surface should be treated with recommended polishing products. Lighter scratches can also be removed in this way.

Resistance to scratching also increases after treatment with the polish.

ULTRA GLOSS Superpolish is recommended ([www.ultra-gloss.de](http://www.ultra-gloss.de)).

High gloss fronts are characterised by their very easy cleaning, since the surface is completely sealed. Any soiling that adheres can therefore be easily removed without much effort and without use of chemical products.

It is essential to ensure that the cleaning materials used

(cloths, sponges, etc.) are extremely clean. Any mineral soiling present in cleaning materials, such as grains of sand or dust particles may result in scratching of the surface and must therefore not be used.

The manufacturer cannot undertake any warranty for this type of traces of use.

The cleaning materials used – preferably cotton cloths (not microfibre cloths!) – must be thoroughly cleaned and rinsed beforehand. If mineral or metallic particles are absorbed during cleaning, the cleaning materials must be constantly rinsed in order to ensure that the dust particles do not leave any marks on the high gloss surface.

Small microscopic traces of use may result. These are more or less noticeable according to colour and incidence of light. They do not impair the functional value and are unavoidable in the long term as with all high gloss surfaces on cars, glasses or other furniture surfaces.

This type of traces of use does not constitute any grounds for complaint.

## 4 Care instructions

### 4.5 Lacquered fronts (mat/structured/premium mat/lacquered laminate)

---

Due to the sealed surface of lacquer fronts, any dirt adhering to them can easily be removed without having to use much force, and without the use of chemical agents.

In the case of small stains or a little dirt, we recommend using damp, soft, and lint-free cotton cloths and chamomis for cleaning. The cloths used must be extremely clean (rinse before using), and if dirt made of mineral substances such as sand or grains of dust are wiped up with the cleaning equipment, they will need to be constantly rinsed out so that the dust particles cannot leave any scratches on the lacquered surfaces.

Subsequently, wipe the surface dry using a cloth. If necessary, small amounts of a store-bought pH-neutral cleaning agent can be added to the water.

If there are stubborn stains or dirt on the lacquered surfaces, the cleaning agents can be used in a higher concentration, but never undiluted. Subsequently, always wipe off with water and then wipe dry.

When using care products, always test them on an inconspicuous area first, as furniture polish, for instance, can result in a high-gloss finish. We recommend that you follow the instructions for use on the care product. The following are unsuitable: Window cleaners, cleaners containing alcohol, chlorine, vinegar, abrasive substances (risk of scratches with, for example, scouring cream

or scouring powder).

In order to prevent the surface from receiving a gloss finish or becoming scratched, it is imperative to avoid the use of microfibre cloths, rough cloths, scouring pads, scouring sponges, and steel wool!

During cleaning, microscopic signs of wear may result. Depending on the colour of the surface and the light shining on it, they may become more or less apparent. They do not constitute a reduction of the product's utility value, and are unavoidable over the long term for all high gloss and matte surfaces, for example on cars, glasses, or other furniture surfaces. Such signs of wear are not grounds for a claim.

## 4 Care instructions

### 4.6 Lacquered fronts (high gloss)

---

The high gloss lacquer fronts obtain their brilliant gloss from 8 layers applied by hand. This lacquer has a durable depth and mirror effect that is retained when properly cared for.

The fronts are covered with a protective film in order to ensure that they do not suffer any damage either during processing or transport. This film should only be removed during the last working stage of installation. High gloss lacquer fronts are characterised by their very easy gleaming, since the surface is completely sealed. Any soiling that adheres can therefore be easily removed without much effort and without use of chemical products.

It is essential to ensure that the cleaning materials used (cloths, sponges, etc.) are extremely clean. Any mineral soiling present in cleaning materials, such as grains of sand or dust particles may result in scratching of the surface and must therefore not be used.

The manufacturer cannot undertake any warranty for this type of traces of use.

The cleaning materials used – preferably cotton cloths (not microfibre cloths!) – must be thoroughly cleaned and rinsed beforehand. If mineral or metallic particles are absorbed during cleaning, the cleaning materials must be constantly rinsed in order to ensure that the

dust particles do not leave any marks on the high gloss surface.

Small microscopic traces of use may result. These are more or less noticeable according to colour and incidence of light. They do not impair the functional value and are unavoidable in the long term as with all high gloss surfaces on cars, glasses or other furniture surfaces.

This type of traces of use does not constitute any grounds for complaint.

## 4 Care instructions

### 4.7 Fronts with velvet matt surface

---

Fronts with a velvet matt surface are sealed with a special high matt lacquer. This lacquer lends a special feel to the fronts, which very closely approximates that of a waxed wood front. This lacquer always has a coarser texture than smooth lacquering.

Consequently, the following should be observed during cleaning:

Foods and substances with a high proportion of pigments, such as coffee, mustard, tea and red wine, etc. may – once dried on – permanently leave slight discoloration on the foil.

Please therefore observe the following instructions:

- Preferably wash soiling away immediately with a copious amount of water or diluted soap solution. The stains must not be allowed to dry!
- Remains of staining, particularly splashes of fat and fat deposits, can be brushed out with a very warm 30 % soft soap solution with the aid of a washing up or nail brush.

Subsequently wash out the remains of the cleaning solution with clear lukewarm water and wipe dry with a leather cloth.

stubborn stains, cleaners with an alcohol content of max. 15 – 20 % such as Sidolin, Ajax window cleaner or Bref fat solvent may be used. Test the latter first at an

inconspicuous spot. Limit the application time in this case to very brief wiping with slight pressure, since alcohol may damage most lacquering if applied for longer.

When using commercially available household cleaners, it is essential to pay attention to the fact that no coloured cleaners must be used undiluted or concentrated, since their colourants may also leave residues. Substances that have dried on or penetrated over a longer period can only be removed to a limited extent.

This lacquer surface is not resistant to organic solvents such as thinners, nail polish remover, or undiluted spirits. Consequently, the latter must never come into contact with the surface.

## **4 Care instructions**

### **4.8 Glass laminate fronts**

---

Glass laminate is a hard-wearing and resistant surface material made from acrylic. It is suitable for vertical application indoors. The non-porous, homogeneous material is hygienic and suitable for contact with foodstuffs and is resistant to fungal and bacterial growth.

The product is resistant to all household chemicals and substances such as disinfectants. Extended use of aggressive substances can leave marks or damage the material.

Glass laminate has an outstanding depth effect. The surface has a high gloss and as scratch- and abrasion-resistant coating, which keeps domestic wear and tear to a minimum.

Most soiling and finger marks can be removed with water and a microfibre cloth. In addition, household liquid cleaners can be used to clean the surface.

Strong solvents, special cleaners (e.g. drain cleaners, industrial cleaners), aggressive scouring agents and strong chemical substances may damage the surface. Remove stubborn soiling with a soft sponge, common plastic cleaner or liquid cleaner (without scourer).

Do not use abrasive cleaning sponges with scourers (e.g. Scotch Brite, scouring pads, etc.) or brushes; these can cause scratches if too much force is applied.

Refrain from using mechanical cleaning processes, e.g. razor blades, knives or scrapers, etc., as this can cause scratches and damage the abrasion-resistant coating.

## 4 Care instructions

### 4.9 Fronts with FENIX NTM<sup>®</sup> surface

#### Everyday maintenance and removal of common stains

As with any other material for interior design, a FENIX surface should be cleaned regularly. It does not require any special maintenance, just a damp cloth with warm water or a mild detergent. Almost all regular household cleaning products or disinfectants can be safely used. For the most common stains, you can simply clean the surface with warm water using a non-abrasive cloth.

Tougher stains can be removed with non-abrasive household cleaners or solvents. For older, dried or caked-on stains, use a magic sponge or soft cloth to remove them. After using any solvents, we recommend rinsing the surface with warm water and a detergent. Always rinse thoroughly to remove the detergent with clean water, preferably warm.

#### Stubborn stains and minor scratches

FENIX surfaces have a unique non-porous external layer, allowing you to keep it neat with simple, everyday care and cleaning methods. In case of stubborn stains, we recommend the use of a specific cleaning agent (as per the table reported on next page) to remove any trace of the stain.

In case of micro-scratches, please refer to the maintenance instructions for the surfaces as illustrated on the next page.

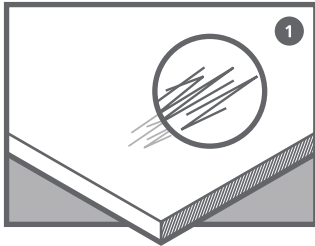
#### Useful cleaning advice

- a FENIX surface must never be treated with products containing abrasive substances, macroabrasive sponges or unsuitable materials such as sandpaper or steel wool
- strongly acidic or alkaline products should be avoided because they can stain the surface
- bleach and heavily-chlorinated products should be avoided because they can degrade the surface
- when using solvents, the cloth used must be perfectly clean so as not to leave marks on the FENIX surface  
Any marks may, however, be removed by rinsing with hot water and drying well
- do not use furniture polishes or wax-based cleaners in general
- do not use metal scrapers, iron brushes or any other metal tool to remove stains, paint, plaster or other substances from the surface

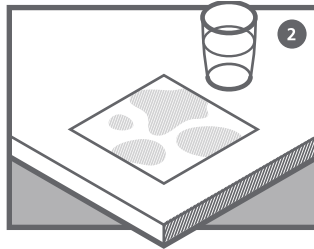
## 4 Care instructions

### 4.9 Fronts with FENIX NTM® surface

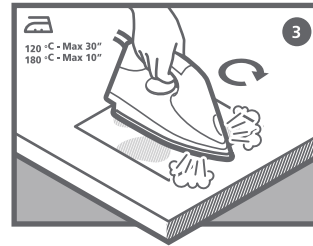
#### Maintenance instructions iron



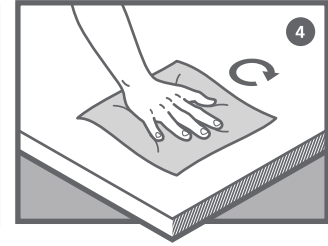
1. Superficial defects caused by micro-scratches.



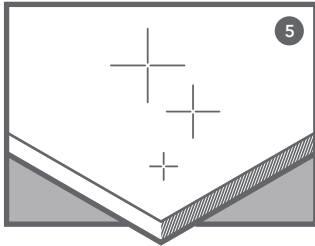
2. Place a dampened microfibre cloth over the area where the micro-scratches can be seen.



3. Place the hot iron on the surface that needs repairing. Do not leave the iron on the surface for more than 10 seconds at a time.



4. Rinse the repaired area with lukewarm water and a microfibre cloth.



5. The surface should now be healed.

## **4 Care instructions**

### **4.10 Wood fronts**

---

Wood is a natural material. The graining and colour make every kitchen unique. Differences in the texture of the wood and in the colour, e. g. as a result of different incidence of light and sunshine, are characteristic of this natural product and are therefore completely normal. They reflect the high quality of the material and therefore do not constitute any grounds for complaint.

The surfaces of the wood front are sealed several times with high quality lacquer. All that is needed to clean them therefore is to wipe them down in the direction of the grain with a slightly dampened cloth so that any particles of dirt are removed from the pores.

Splashed of fat and other soiling should not be allowed to dry on under any circumstances and should be removed immediately.

Always wipe all surfaces thoroughly dry after cleaning. Excessively wet surfaces as a result of using too damp cloths or clouds of steam during or after cooking should be avoided as a matter of principle.

Always keep all surfaces dry! Standing water and other liquids may cause permanent damage!

As a living material, wood works when constantly exposed to extremely humid or dry air. In spite of its thorough lacquer coating, it swells or shrinks. The kitchen must stand in room with a temperate atmosphere. This applies both with regard to temperature and in particular for relative humidity.



## 4 Care instructions

### 4.11 Oiled wood fronts

---

The surfaces of wooden facades are sealed with a natural protective film that is created by oiling them. This makes the surface very easy to care for.

Ensure these surfaces are kept dry and do not let water or other liquids penetrate into them.

The surfaces can be easily kept clean using a dry or slightly damp cloth.

Strong solvents, special cleaners (e.g. drain cleaner, industrial cleaners), as well as aggressive scouring agents and strong chemical substances should not be used, as they may damage the surface.

The composition of the oil used has an effect on the cleaning agents that can be used. For tough stains and general care, the following products are recommended:

- Rubio Monocoat Surface Care (cleaning)
- Rubio Limespot/Grease/Tannin Remover (tough stains)
- Rubio Monocoat Refresh Eco (for refreshing)

When using these products, pay attention to the cleaning information provided. Avoid using these products too frequently. Doing so can wear down the natural protective film more quickly, thus requiring more frequent oiling.

## 4 Care instructions

### 4.12 Linoleum fronts

---

Cleaning with a soft, lint-free, damp cloth is sufficient for daily care.

To clean lightly soiled areas, dilute a small amount of a neutral cleaning agent in water and use with a soft cloth to clean the surface.

For more stubborn dirt and stains, pretreat the areas with some undiluted neutral cleaning agent applied to a soft cloth. Once loosened, use a clean, absorbent cloth to remove the dirt and then wipe down the surface using a damp cloth.

For the cleaning and care of oiled veneer edging, please read the information on "oiled wooden facades" on the previous page.

#### **Repairing small scratches**

Scratches in the surface can be concealed or completely removed to a certain extent by rubbing the white nutmeat of a walnut.

To do this, rub the white walnut flesh generously over the damaged area and then wipe out the natural oils with a soft cotton cloth.

#### **Tips**

- Containers made of terracotta or clay can cause discoloration - please place an appropriate mat under such items.
- Disinfectants and cleaning agents with a high solvent content can cause blotches to appear - make sure to use a cleaning agent that is suitable for linoleum and test on a hidden area first if necessary.
- Be aware that this material has a low resistance to heat. Do not place items directly onto the surface that are hotter than 70 °C.

#### **Drying room yellowing**

A yellow coloured film (drying room yellowing) can develop on the material. This phenomenon is particularly visible with brighter colours. When exposed to light, this film will disappear relatively quickly depending on the light intensity and the product will return to its original colour. This natural process can reoccur as soon as the material is covered again.

## **4 Care instructions**

### **4.13 Cement/stone fronts**

---

Thanks to a particularly resistant protective sealant against chemicals and substances used in the kitchen, such as grease, coffee, and citric acid, the concrete and stone fronts are particularly low-maintenance.

Stains on cement surfaces can be wiped away with a soft microfibre cloth and with a few squirts of glass cleaner if necessary.

Stains on stone fronts should be dabbed away with a soft sponge that has been dipped in dishwashing liquid.

Strong solvents, special cleaners (e.g. drain cleaner, industrial cleaners), as well as aggressive scouring agents and strong chemical substances should not be used, as they may damage the surface.

## 4 Care instructions

### 4.14 Worktops

---

#### **Worktops in general**

Worktops serve for preparatory work and must therefore not be used as cutting surfaces, since knife cuts in any material and therefore also in the hard laminate coating may leave nicks. Cutting bases made of wood, melamine or granite, etc. are useful.

Porcelain and earthenware crockery has an unglazed edge underneath. Sliding it over the worktop may therefore result in slight scratches.

Hot saucepans, frying pans or other hot objects must not be placed on the worktop. Always use a saucepan stand or granite stands!

The worktops can be cared for with cleaned with common household cleaners (no scouring products!). Depending on the degree of soiling, apply the latter diluted with water. Use a soft cloth for this purpose. Remove traces of cleaning product with a damp cloth and wipe the worktop dry.

The following applies as a matter of principle: standing liquids on worktops, particularly on glued joints must be removed immediately.

#### **High gloss worktops**

Handle these brilliant surfaces with care! Slight traces of use (e.g. as a result of sliding pottery over the surfaces) are more rapidly visible than on matt surfaces. These marks do not detract from the functionality of the worktop in any way.

These marks cannot be avoided and cannot therefore be considered grounds for complaint.

Wood materials – particularly high gloss – are always sensitive to heat. Hot saucepans and frying pans must therefore never be stood on the worktop. Always use a saucepan stand or granite stands!

Discoloration or changes in the surface cannot be considered grounds for complaint.

#### **Worktops FENIX NTM®**

For worktops with a super-matt FENIX surface, the same care instructions apply as for fronts.

---

## 4 Care instructions

### 4.15 Handles and fittings

---

#### **Handles and handle bars**

We recommend a damp soft cloth and commercially available washing up liquids for cleaning our handles and grip ledges.

It is essential to avoid mechanical abrasion of any kind that may also occur by polishing with coarse linen and using harsh, often concentrates household cleaners (vinegar-based cleaner, steel-based cleaning products and cleaning sponges containing steel etc.).

#### **Fittings**

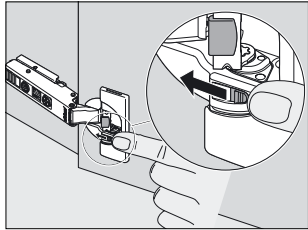
In order to ensure perfect running of the pull-outs, the guide rails must be kept clean. Especially particles of dirt that get into the guide should be removed immediately using a brush.

The fittings used are maintenance-free. They should not under any circumstances be greased or lubricated with oil-based products.

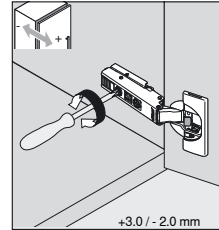
# 5 Adjustment

## 5.1 Swivel doors

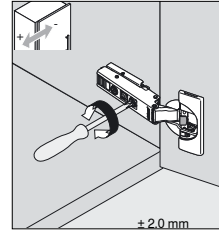
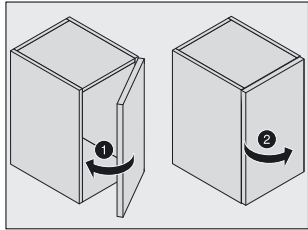
All swivel doors are hinged with quick mounting metal hinges. The hinges snap in and out of place without the use of tools.



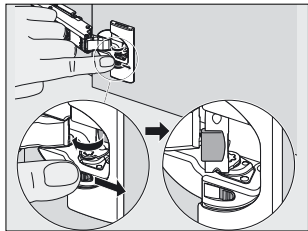
**Deactivation BLUMOTION**



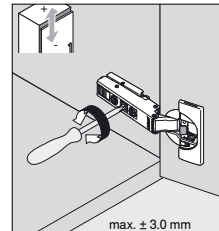
**In- and out alignment**



**Horizontal door alignment**



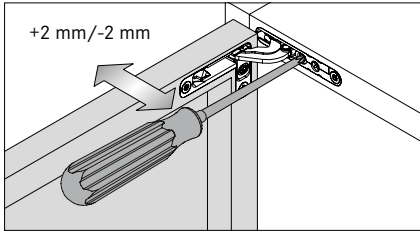
**Activation BLUMOTION**



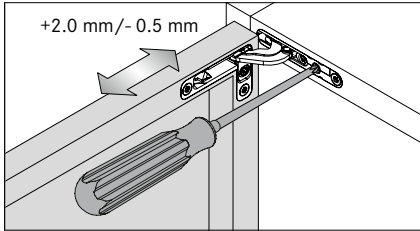
**Vertical door alignment**

# 5 Adjustment

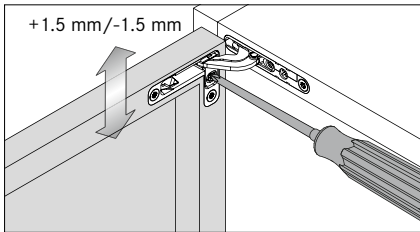
## 5.2 Framed glass doors with hidden hinge



**In- and out alignment**

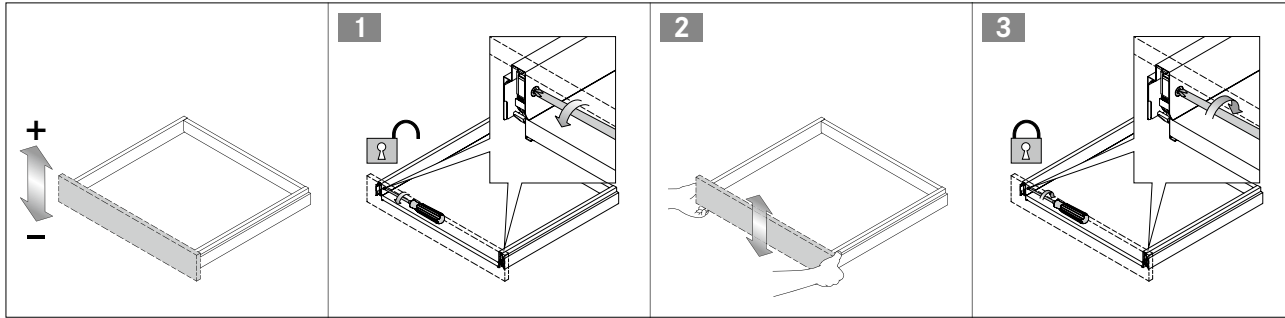


**Horizontal door alignment**

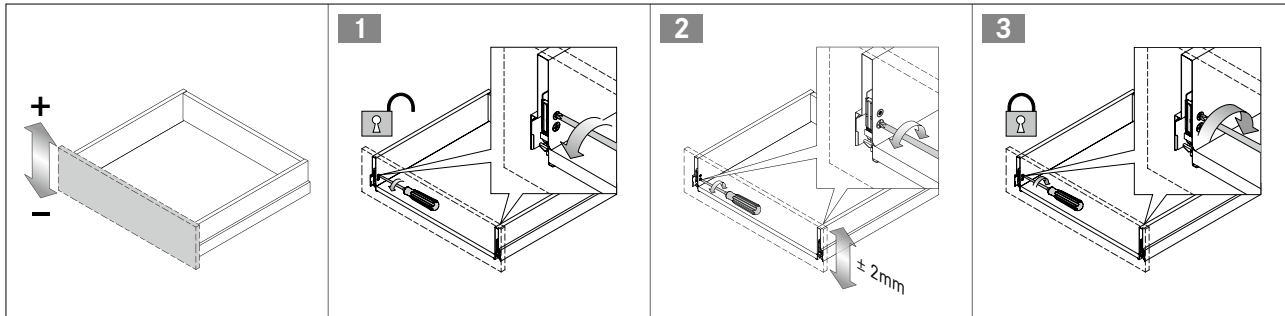


**Vertical door alignment**

#### Height adjustment of drawers, frame height 60 mm



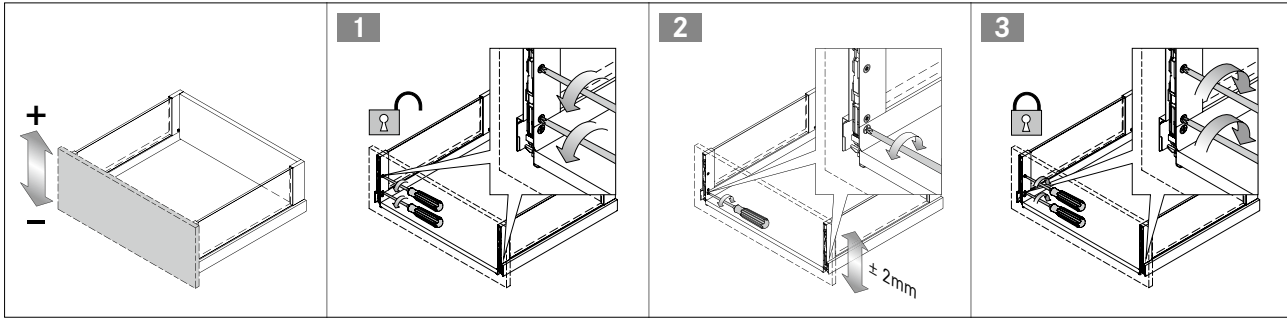
#### Height adjustment of drawers, frame height 90 mm



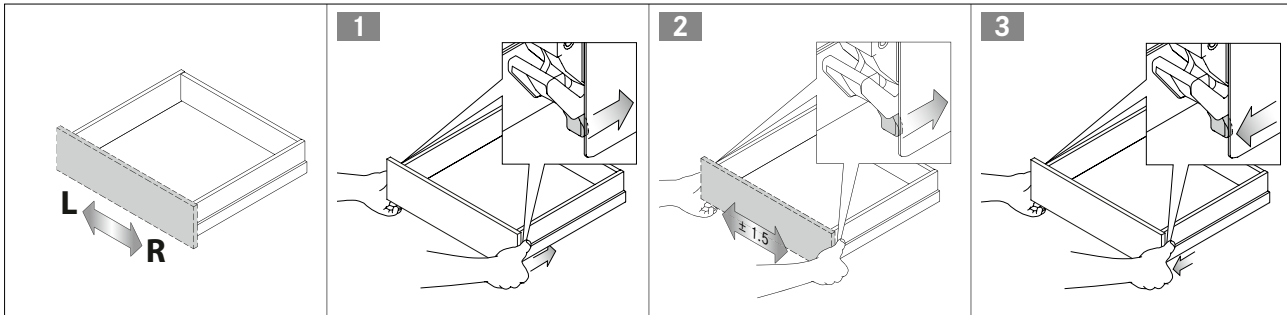


## 5.3 Drawers/Pull-outs

### Height adjustment of pull-outs, frame types BOX and GLASS

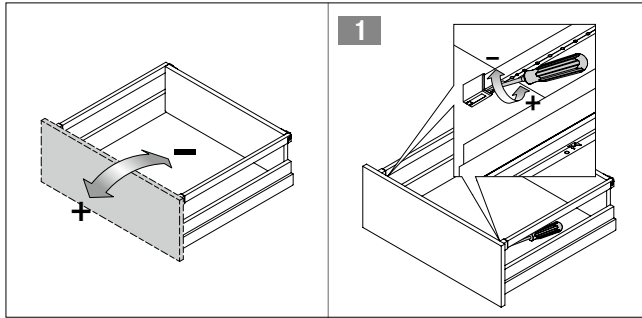


### Lateral adjustment

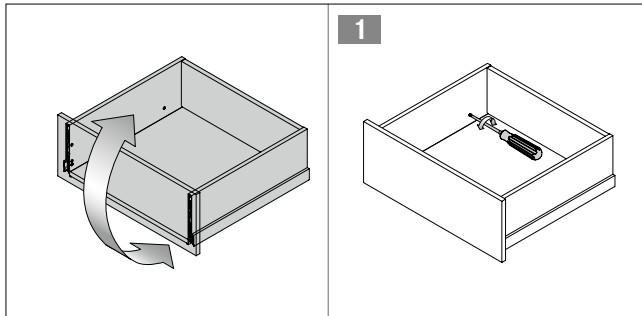


## 5.3 Drawers/Pull-outs

### Inclination adjustment, pull-outs with railing

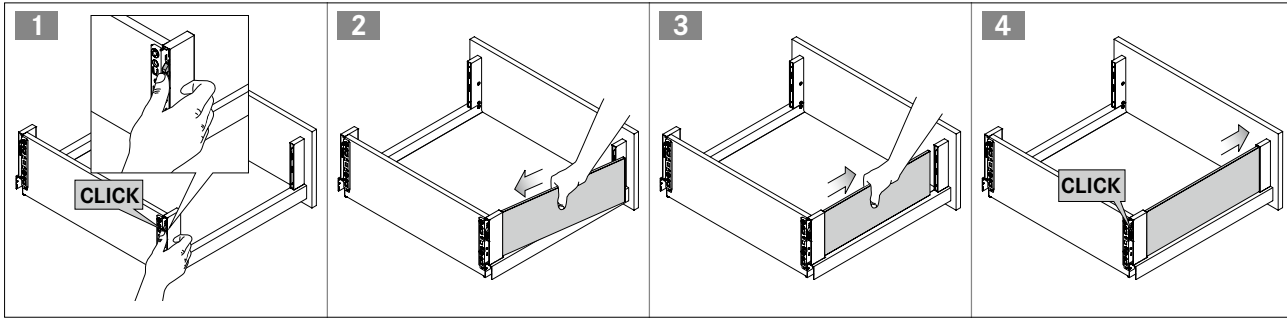


### Inclination adjustment drawers and pull-outs, frame types BOX and GLASS

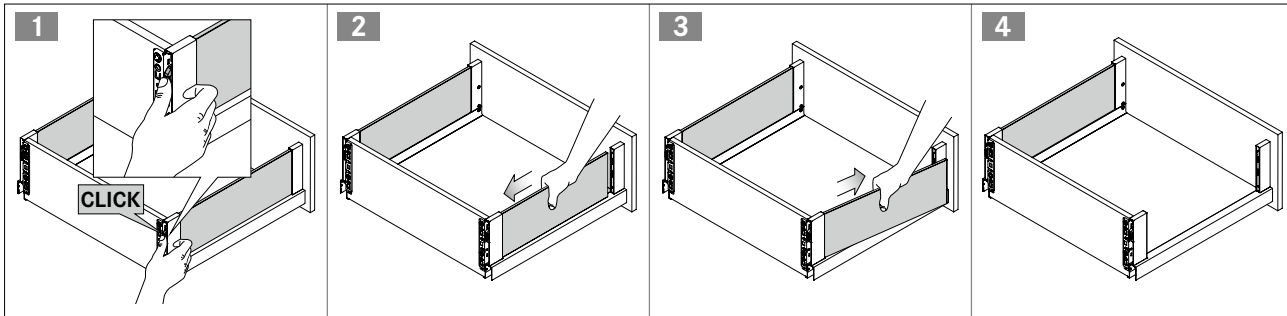


## 5.3 Drawers/Pull-outs

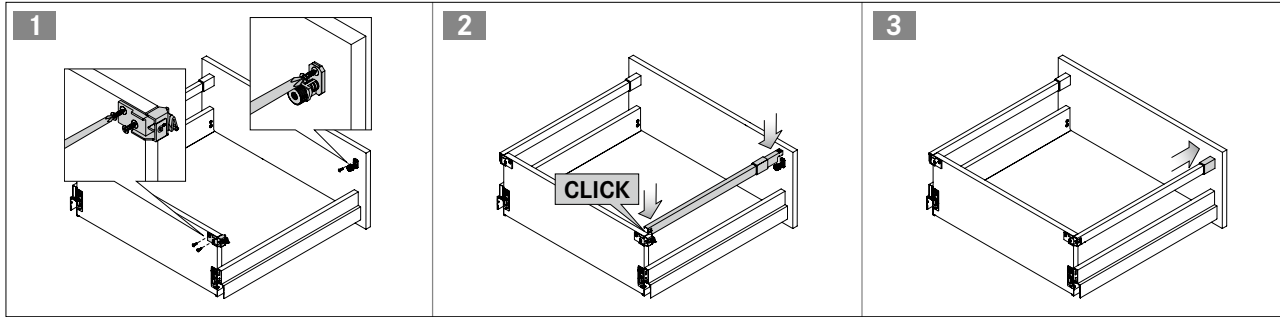
### Mounting of glass sides



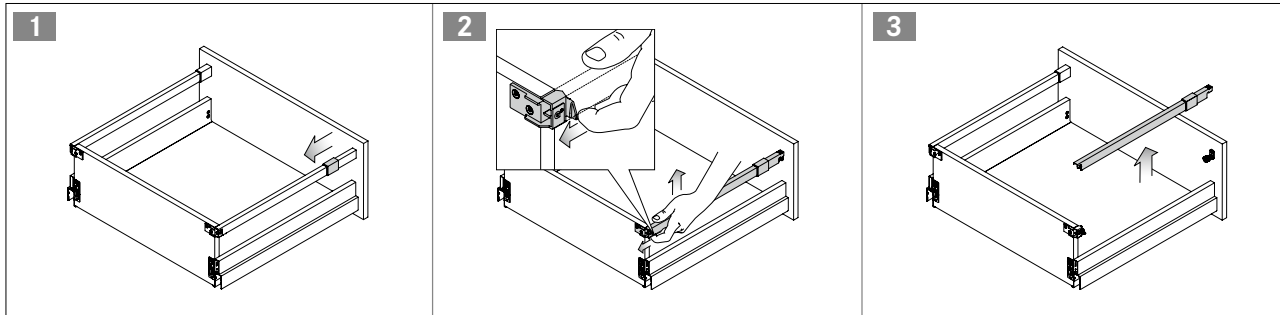
### Dismounting of glass sides



#### Mounting of railing

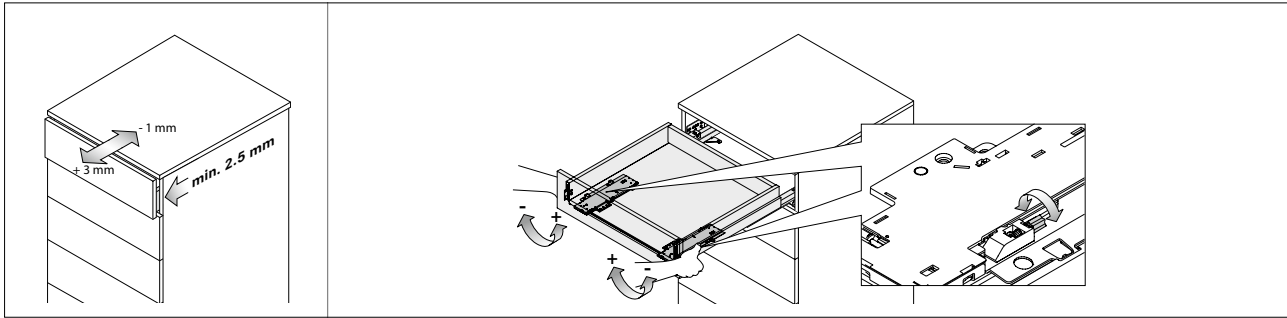


#### Dismounting of railing

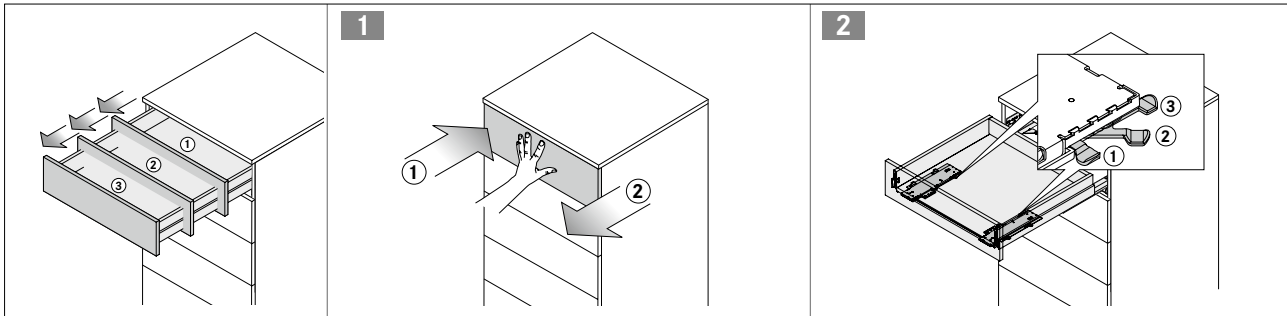


## 5.3 Drawers/Pull-outs

### Push-to-open, front gap adjustment

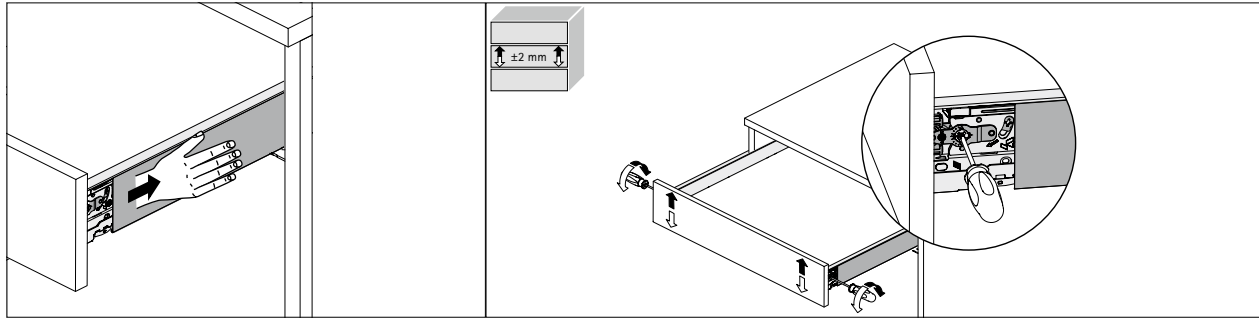


### Push-to-open, activation force

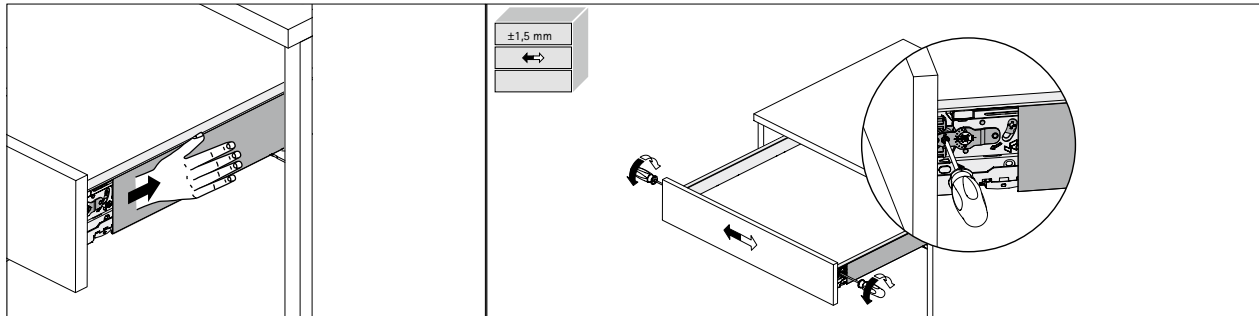


## 5.4 Drawers/Pull-outs

### Height adjustment of drawers, height 77 mm

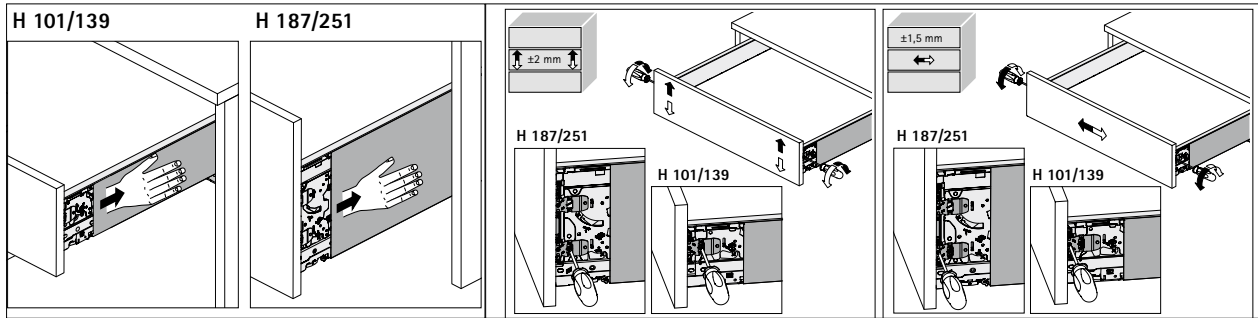


### Lateral adjustment of drawers, height 77 mm

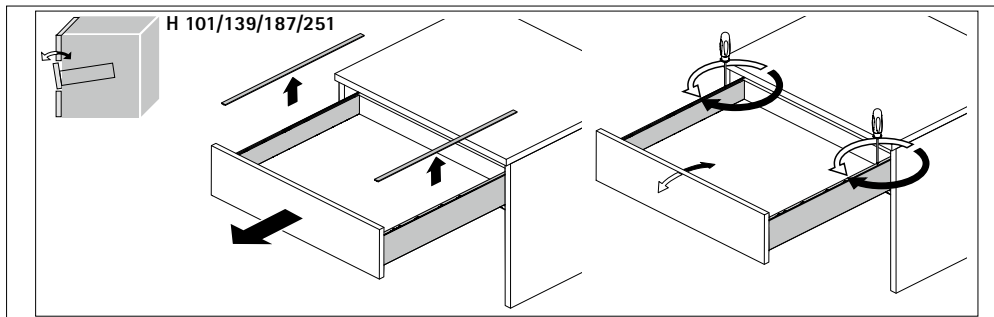


## 5.4 Drawers/Pull-outs

**Height adjustment & lateral adjustment of drawers & pull-outs, height 101 / 187 mm**



**Inclination adjustment of drawers & pull-outs, height 101 / 187 mm**

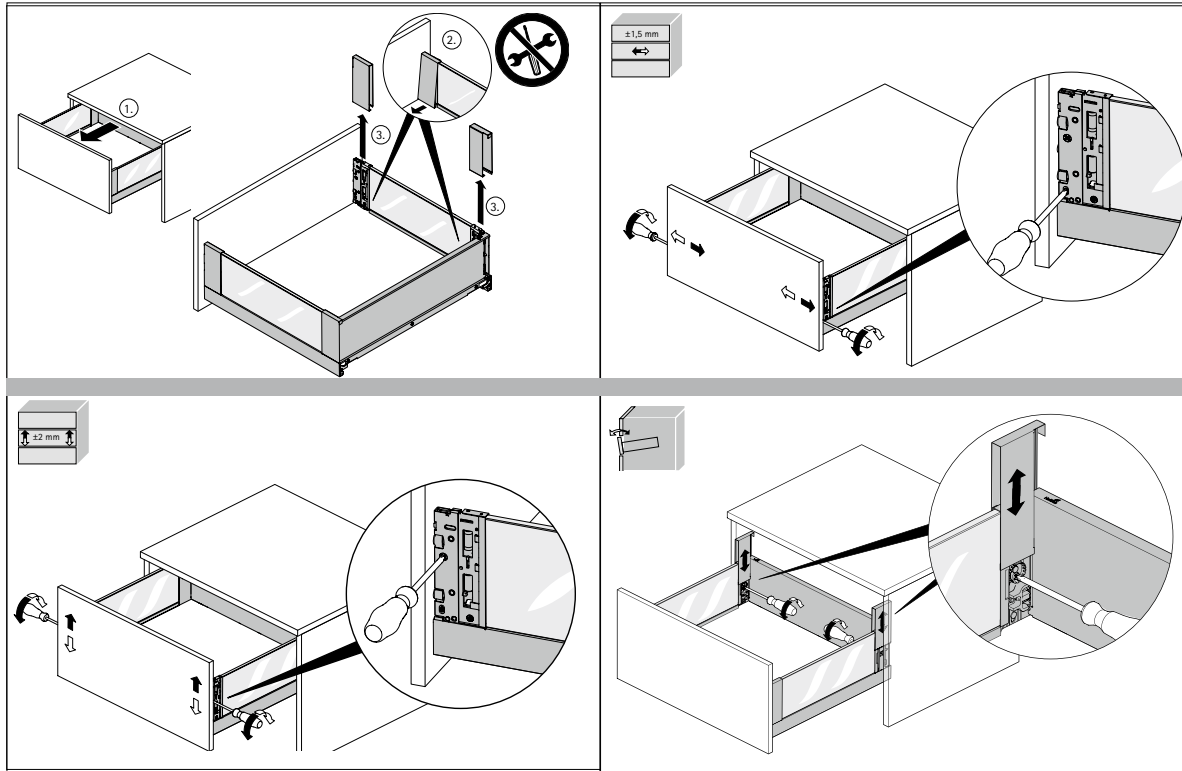


# 5 Adjustment

## 5.4 Drawers/Pull-outs

AccuraBox

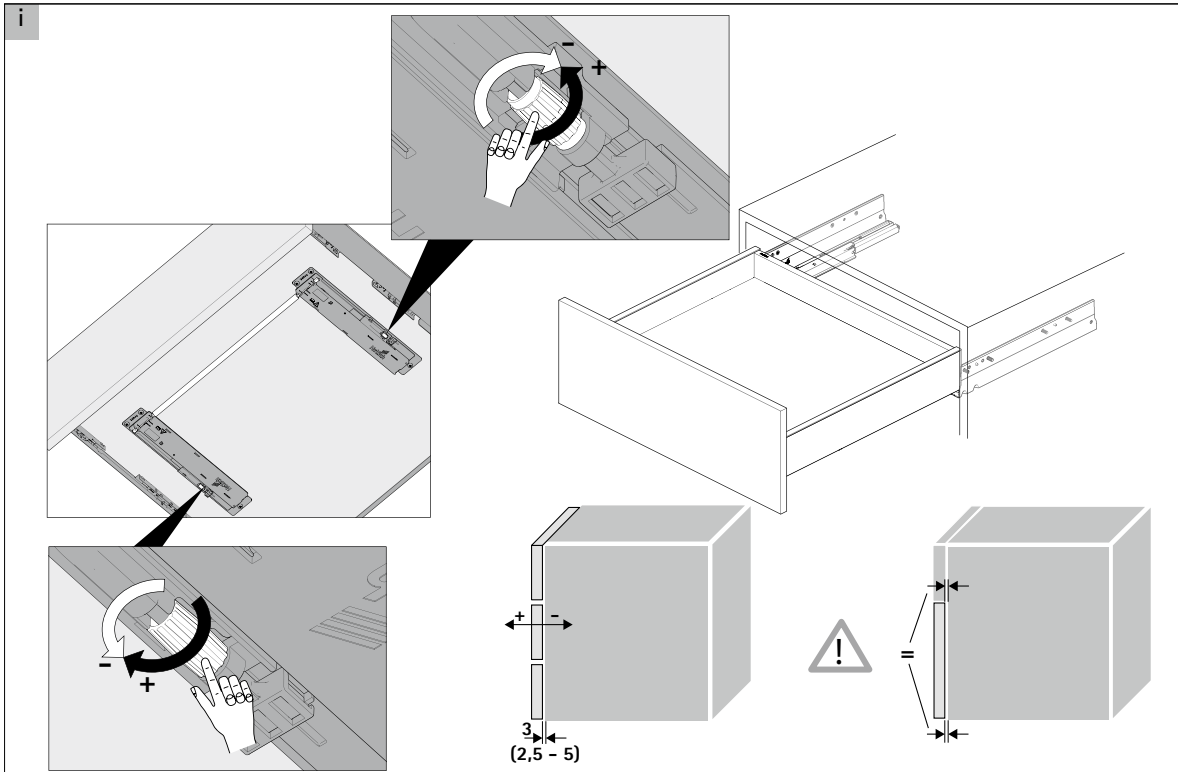
### Adjustment, pull-outs GLASS





## 5.4 Drawers/Pull-outs

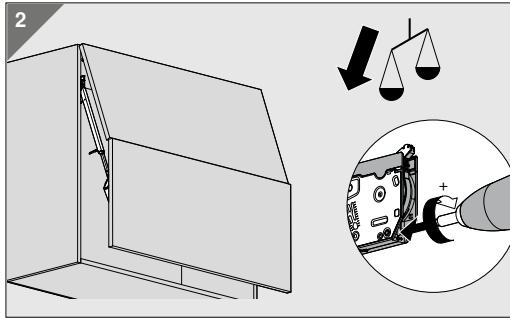
### Push-to-open, front gap adjustment



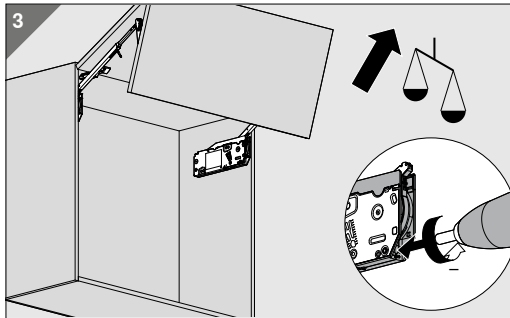
# 5 Adjustment

## 5.5 Bi-fold lift-up doors

If the front drops after it was released



If the front rises after it was released



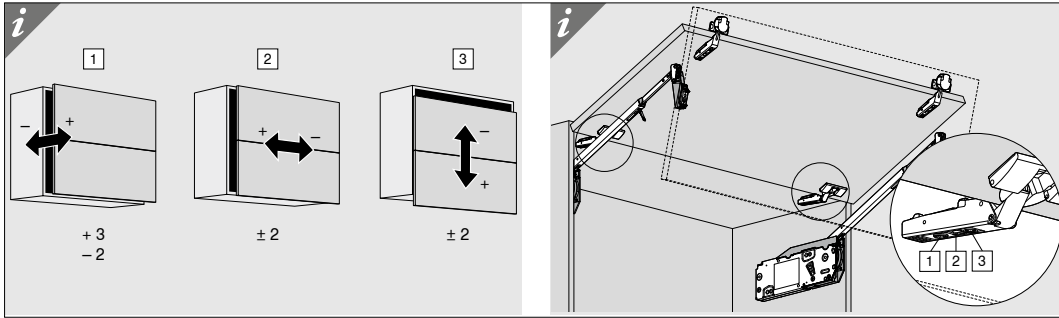
Each time you adjust the tension, open and close the tension covers on the telescopic rod.



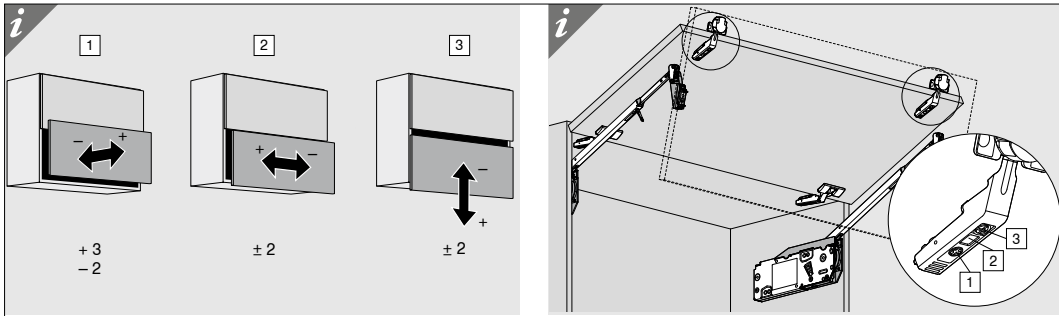
# 5 Adjustment

## 5.5 Bi-fold lift-up doors

### Lateral, height and depth adjustment of both fronts



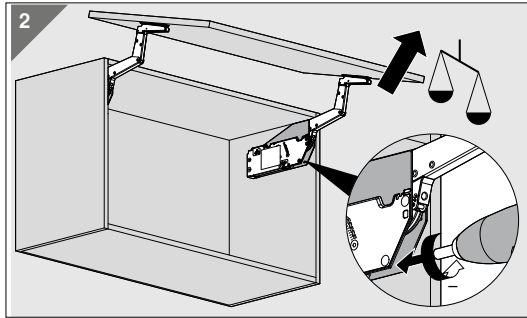
### Lateral, height and depth adjustment of lower front



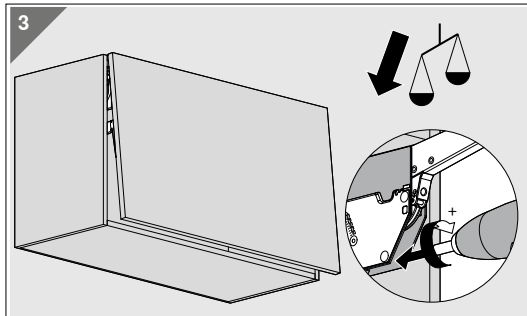
# 5 Adjustment

## 5.6 Soft-lift-up doors

If the front drops after is was released



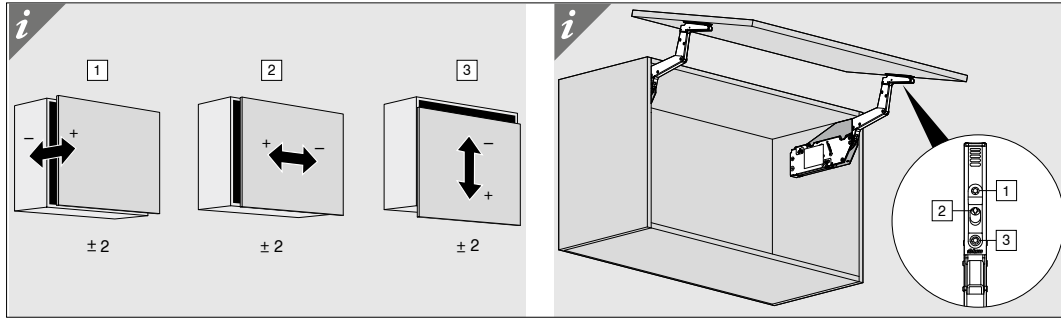
If the front rises after is was released



# 5 Adjustment

## 5.6 Soft-lift-up doors

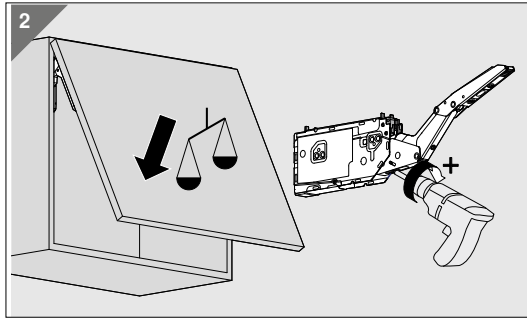
### Lateral, height and depth adjustment



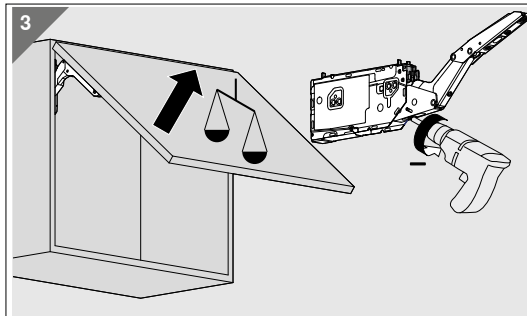
# 5 Adjustment

## 5.7 Flap doors

If the front drops after is was released



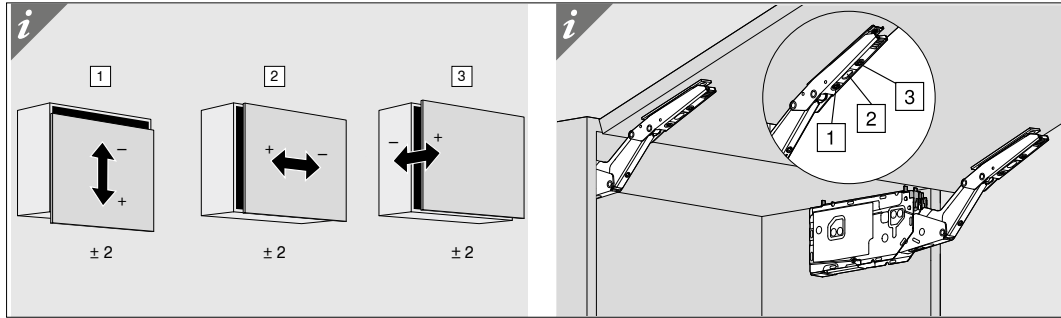
If the front rises after is was released



# 5 Adjustment

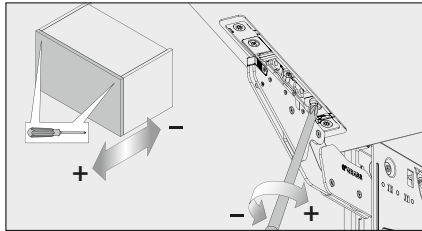
## 5.7 Flap doors

### Lateral, height and depth adjustment

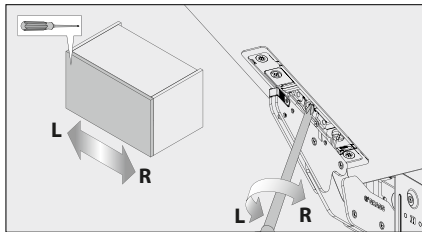


# 5 Adjustment

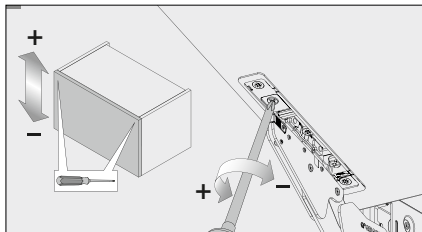
## 5.8 Flap doors with hidden fitting



**In- and out alignment**



**Horizontal door alignment**



**Vertical door alignment**



# 5 Adjustment

## 5.9 Pantry cabinet



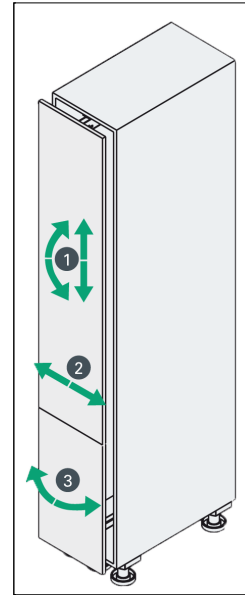
**Height adjustment**



**Lateral adjustment**

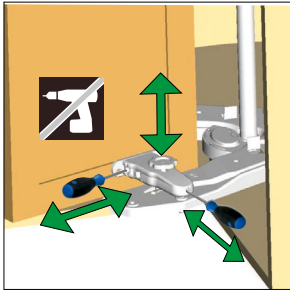


**Inclination adjustment**

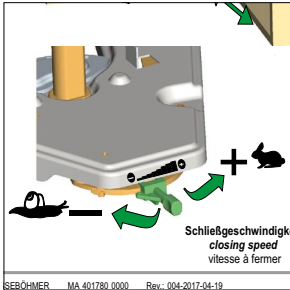


# 5 Adjustment

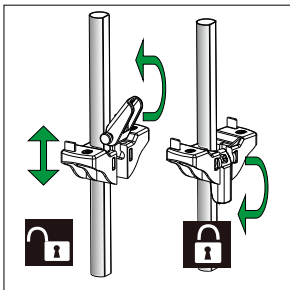
## 5.10 Corner cabinets



**Door adjustment**



**Closing speed adjustment**



**Adjustment of shelf**



**SACHSENKÜCHEN**  
**H.-J. EBERT GMBH**  
OT Obercarsdorf  
Dresdner Straße 78  
01744 Dippoldiswalde  
Germany

Tel.: +49 35 04 64 81-0  
Fax: +49 35 04 64 81-35  
[info@sachsenkuechen.de](mailto:info@sachsenkuechen.de)  
[www.sachsenkuechen.de](http://www.sachsenkuechen.de)